

DEPARTMENT OF JUSTICE

INTERNAL ROUTING/ACTION SLIP

TO	BLDG.	ROOM	NAME/TITLE/ORGANIZATION
			N.C.J.R.S.
			Acquisition Library
			Police T.A. Report

SUBJECT: I
a
REPORT NUMBER: 7
FOR: L

- RECOMMENDATION/COMMENT
- SEE REMARKS ON REVERSE
- MAKE COPIES (NO.)
- RETURN(BY)
- LOG
- FILE
- SEE ME
- CALL ME
- NECESSARY ACTION
- COORDINATE
- PER INQUIRY
- INFORMATION

TOR:
ANT:
T NUMBER:

FROM	BLDG.	ROOM
DD Heur		1109
	PHONE	DATE
	6 3730	3.12.76

March 12, 1976

34013
READING ROOM

LAW ENFORCEMENT ASSISTANCE ADMINISTRATION
POLICE TECHNICAL ASSISTANCE REPORT

SUBJECT: Identification of Crime Analysis Training Programs
and Police Department Crime Analysis Unit Operations

REPORT NUMBER: 75-104

FOR: LEAA Central Office

CONTRACTOR: Westinghouse Justice Institute

CONSULTANT: Bruce B. Byrd

CONTRACT NUMBER: J-LEAA-003-76

DATE: March 12, 1976

TABLE OF CONTENTS

	<u>Page</u>
Foreword	iii
1. Introduction	1-1
2. Understanding of the Problem	2-1
3. Analysis of the Problem	3-1
3.1 Training	3-1
3.2 Operational Crime Analysis Unit	3-3
4. Findings and Conclusions	4-1
4.1 Summation of Findings	4-1
4.2 Conclusions	4-1

APPENDICES

A. Individuals, Agencies, and Associations Contacted by the Consultant	A-1
B. California Crime Technological Research Foundation Crime Analysis Seminar	B-1
C. Law Enforcement Agencies with Crime Analysis Units	C-1
D. Introduction to Crime Analysis	D-1

FOREWORD

This technical assistance assignment was originated by Mr. Robert O. Heck, Police Specialist, Office of Regional Operations, LEAA Washington. The objective was to develop an overview assessment of crime analysis training being conducted nationwide and to identify police departments and personnel with strong crime analysis capabilities.

1. INTRODUCTION

The purpose of the study was to identify the following;

- Training programs currently existent in crime analysis.
- The content and instructors of any crime analysis training programs.
- Law enforcement agencies with a strong analysis capability.
- Names and backgrounds of crime analysts within the agencies identified above.

The primary focus of the assignment was to make a brief assessment of training resources available in the topical area of crime analysis, whether they be offered by universities, institutes, law enforcement academies, private sources, or other. Also to be included in that identification are a description of the course goal, content, and duration, and of the personnel providing the instruction.

The second portion of the study was to identify law enforcement agencies having a strong crime analysis capability, including a brief description of the unit. Crime analysts within those agencies were also to be identified.

2. UNDERSTANDING OF THE PROBLEM

When undertaking any study of crime analysis, it becomes immediately evident that the definition or concept of what crime analysis is varies greatly. Depending on agency goals, individual training, and other variables, one encounters definitions including but not limited to the following:

- Tabulation of incidents of crime.
- Preparation of Uniform Crime Reports.
- Study of criminal motivations.
- Comparative increase/decrease rates of crime categories.
- Statistical compilations.
- Analysis for State and regional criminal justice planning programs, including police, courts, and corrections services.
- Programs of varying value and sophistication for operative law enforcement agencies.

These varied definitions hamper attempts to research the state-of-the-art, since the "art" is so ill-defined.

These comments are not intended to imply that there is but a single activity or process that should qualify for an "acceptable" definition of crime analysis. Numerous distinct types of programs having merit are currently being conducted by different agencies. The needs and goals of the agency should determine the specific structure of the analytical method or structure. It is felt, however, that the majority of projects of mention would fit the definition preferred by the author: A set of systematic analytical processes directed toward predicting criminal trends (both in individuals and aggregate situations) for the purpose of reducing crime in a cost effective manner.

To effectively, completely, and currently meet the goals of this study on a national scale is most difficult. This is due not just to the question of subject definition, but also the immense potential data source to research (i.e., hundreds of law enforcement agencies and academies, planning agencies, grant projects, universities, private associations and consultants, etc.). Finally, the constraints of time and resources available for the study also limit the detail that can be achieved.

Consequently, some of the information is brief, and some potential sources may have been overlooked. Efforts have been made to research as

many, and as broad a base of, sources as possible. Particular effort was made to contact people known or claimed to be current or knowledgeable on the topic.

In the development of the findings of this report, the following sources were used:

- A review of literature.
- Questionnaires.
- Samplings of university and college course catalogs.
- Personal conversation with individuals, agencies, and associations. (See Appendix A.)

Additionally, the catalogs of 37 colleges and universities were examined and none was found to have a course specifically oriented toward crime analysis. Only three described courses that appeared to contain some elements common to crime analysis. They were entitled Criminal Justice Information System and Basic Statistics in Criminal Justice.

3. ANALYSIS OF THE PROBLEM

3.1 Training

As previously stated, no offerings were found of training that was directed solely to the crime analysis process, as defined. Few significant courses were identified that included crime analysis per se as a portion of their curriculum. The Crime Prevention Institute located at the University of Kentucky, Louisville, provides a 3-hour segment. This segment is part of a seminar for law enforcement officers whose major concern is crime prevention. It is described as an introduction/orientation to the subject and its uses. No great detail is spent on specific analytical techniques. As can be assumed from the amount of time dedicated to the topic, the variety and depth of approaches to the subject are limited. The session is taught by Dr. R. Paul McCauley, who has compiled a small publication entitled Crime Analysis. This is basically a primer in statistical techniques, which apparently is not used as a text in the course. It is, however, one of the few publications directed to the topic.

The Criminal Justice Planning Institute at the University of Southern California includes as a portion of other training for State and regional planners instruction and an exercise prepared by C. Denny Weller, the Director of the Denver Anti-Crime Council. The training is oriented towards application in a planning environment and not specifically for enforcement agencies.

The Criminal Justice Planning Institute is currently developing a 3-day offering on Data Base Development which will be directed towards problem identification. It appears that this will include elements of crime analysis, but not be specific to the topic.

Northwestern University is frequently mentioned as a possible source for crime analysis training. Examination revealed, however, that Northwestern has no such specific training and only offers segments dealing with statistics. These are available in the traffic and management information courses.

Although it was impossible to obtain information from all the various law enforcement training academies across the United States, none is known to offer specific crime analysis courses. The North Central Texas Police Academy had scheduled a 2-day course for January 1976; however, it was cancelled.

In St. Louis on November 17-19, 1975, the University of Missouri at St. Louis sponsored the 2nd National Symposium on Information Systems for Police Services, Crime Control and Community Planning. The previous year it was entitled a Symposium on Crime Analysis, etc. No structured training occurred other than an exchange of information on projects and ideas. Again, the definition of the subject was very diverse, many considered the UCR

Program to be crime analysis. However, resulting from both symposiums were requests for more training and technical assistance to be made available.

Scheduled for January 20-21, 1976, at the Sheraton Park Hotel in New Haven was a conference describing the operations of the crime analysis project being conducted in New Haven and surrounding communities. Again, however, this was an orientation, not an ongoing training opportunity.

Training for the specific application in organized crime and intelligence is offered in three locations. The California Department of Justice Advanced Training Center offers a course in Data Gathering, using Dr. Sheldon Arenberg as coordinator. Also offered is a course in Data Analysis, coordinated by Anacapa Sciences of Santa Barbara, California. The State of Ohio is also presenting a series of classes using Dr. Arenberg. Finally, the Department of Public Safety of Dade County Florida, has a course oriented towards intelligence/organized crime.

During 1975, via the Office of Technology Transfer, LEAA provided a 3-day course on crime analysis. The training was conducted for a maximum of 40 participants from law enforcement agencies (total of 400) in each LEAA region. The California Crime Technological Research Foundation presented the courses which included an orientation, techniques, and exercises in practical application. (See Appendix B.)

LEAA has also conducted some brief instruction in conjunction with its program on patrol emphasis. These lectures were given by Fred Newton of the Pueblo, Colorado, Police Department, a capable and experienced analyst. The intent of the material was to demonstrate and increase the use of analysis as a tool for more effective patrol operations.

The High Crime Program of LEAA includes analysis as a major component. Blair Ewing and Steve Bryant in the LEAA Office of Planning and Management are now developing guidelines for a training course. The course will be oriented towards the application of crime analysis techniques by criminal justice planners. The content or availability of the course is yet unknown. Also, they have developed a set of guidelines for planners that are intended to increase the specificity or appropriateness of analytical methods.

Some local agencies were found to have brief orientation or training classes (1 to 2 hours) within their own departments. However, these invariably are introductions to the departments' internal, and perhaps regional, records and information systems. When the departments have an analytical capability of some form or the ability to pull out raw data on special request, training/orientation is provided on these programs.

LEAA Region I (Boston) recently provided a brief training opportunity for people in their area. The City of Boston has received a grant for the development of a crime analysis component. Lt. Cliff Macsas of the Dallas Police Department was employed as a resource and instructor. His experience and knowledge was made available during a 2-day period to those agencies having interest.

In a review of a sampling of courses offered through regular universities and colleges, none was found to be available on the specific topic of crime analysis. Very few courses were identified that even offered elements or techniques common to crime analysis. Those that did were in the general area of police or criminal justice information systems or management techniques. The value of these courses as training in crime analysis, however, appeared to be negligible.

In summary, though there is a large and increasing interest in the area of crime analysis, there are no significant, in-depth, ongoing training opportunities that exist.

3.2 Operational Crime Analysis Units

The extent of the use of crime analysis beyond elementary tabulation and comparative techniques is difficult to clearly identify. When an inquiry is made as to whether an agency has a crime analysis component, the answer is frequently yes. However, closer investigation usually reveals little more than a function that prepares tabulations of incidents by type of crime and a comparative rate of annual increase. Obviously, many departments have a more developed program than that just described, but few have programs that might be considered as outstanding.

It is not possible to state with certainty why so many agencies respond affirmatively when asked about their analytical capability. Whether it is an issue of the definition and understanding of crime analysis, the knowledge that it is currently considered a measure of a modern and effective department, or yet some other reason cannot be ascertained.

Presented in Appendix C is a list of agencies claiming a crime analysis capability. Included, when available, is brief information regarding the agency, the program, and personnel. It is recognized that the listing is not complete and perhaps not entirely current. To evaluate accurately the extent and sophistication of crime analysis functions in both law enforcement and criminal justice planning agencies would require a larger and more lengthy study than that undertaken in the present assignment.

From the information gathered, certain agency operations or personnel appear to be more significant. A variety of reasons, few applicable to all, make them of greater interest. Among these are goals, resources, data collection and dissemination methods and sources, analytical techniques, application

of information developed, personnel, etc. Some of these agencies are randomly listed below with brief related comments.

- Los Angeles Police Department -- PATRIC system, a multimillion-dollar effort to capture large numbers of data elements relating to crime type, modus operandi, detailed suspect descriptors, location, time, etc. Uses computer support and is undergoing continued design modification and expansion. Contact -- Capt. George Conroy.
- Dallas Police Department -- Directed by Lt. Cliff Macsas, a police officer who came through the ranks and does a very effective job. Computer-supported and used for tactical and patrol deployment, as well as for numerous other functions.
- Minneapolis Police Department -- Uses computer support from a variety of sources. Involves strong crime projection capability. Emphasis on practical usage by patrol. Local units do own analysis after macroanalysis by unit. Contact -- Lynn DeLong.
- City of St. Louis Police Department -- Uses REGIS, a five-county, privately run, computerized criminal justice information system. Used for traffic and criminal activity. Prepares standard reports on regular basis or special analysis on request. Contact -- Dr. Arthur Meyers.
- Washington, D.C., Metropolitan Police Department -- Large computerized system developed for management information and support of patrol and detectives. Analysis made at headquarters and precinct levels; application varies by precinct, prediction capability beyond that of trends. G. Thomas Steele, Chief of the Statistical Processing Branch and a dynamic and knowledgeable resource, manages the system.
- Massachusetts State Police -- Sgt. Phillip Hogan of the UCR Section developed the computer-supported system originally as part of the Division of Community Services. Uses a variety of techniques.

- Pueblo, Colorado, Police Department -- With experience brought from Dallas and Kansas City, Mr. Fred Newton has developed an effective analysis unit. It serves management needs, but also very much addresses efforts to assist the beat officer and detectives. A form of geocoding is used, and the emphasis is on practical results.
- Kansas City, Missouri, Police Department -- One of the recognized forerunners of crime analysis, this department utilizes terminal-retrieved computer data developed with an emphasis for enforcement rather than management application. Contact -- Capt. L. Joiner.
- New York City Police Department -- The Crime Analyst Section under Phillip McGuire has developed a very interesting prototype terminal-operated system for ultimate utilization by the investigating officer. A grant application had been made for its expansion. Computer time is obtained from various sources. Other analytical procedures are ongoing.
- University City, Missouri -- PREWARNS, a system including numerous data elements other than from police sources. Computerized, geocoded, and with an interesting and somewhat unusual application compared to many systems. Contact -- Sgt. S. E. Wilcox.
- Department of Police Services, New Haven, Connecticut -- "Direct Deterrent Patrol Project," a grant-funded operation with very specific orientation toward supplying workable current information to commanders for patrol deployment. Has developed specific patrol tactics with the primary intent of deterrence. Appears to be a very innovative and useful approach. Contact -- Joseph W. Kenny.
- South Central Regional Supervisory Board, New Haven, Connecticut -- This is the local RPU and it operates a regional analysis network in conjunction with New Haven and the cities of Milford, Hamden, East Haven, West Haven, North Haven, and Branford. Combined data are available via terminals, and the applications vary. Contact -- John Gervasio.

- Santa Clara County, California -- CAPER, a project developed for a countywide criminal justice planning and support effort. It is computerized and uses a packaged geocoding. The numerous data elements are now being evaluated with a consideration of reducing them to those having greatest application. Contact -- Mr. Reeves.

4. FINDINGS AND CONCLUSIONS

4.1 Summation of Findings

- Training -- Sources of training for operational law enforcement agencies that are directed solely to the crime analysis process were found to be essentially nonexistent. A few training courses exist where crime analysis of varying descriptions is included as a 1- or 2-hour segment of a program having either a general or distinctly different goal. Also, elements or techniques of crime analysis are found as portions of training courses for other disciplines, where some of the techniques are common. But no offering was found currently available that provided in-depth training in crime analysis, either for law enforcement or planning agencies.

- Existent Crime Analysis Operations -- Crime analysis of a sort has existed in varied types and processes for as long as have law enforcement agencies. However, it is concluded that most efforts to date have been very rudimentary and that the refining of techniques and the application of the art is yet in its infancy. Within the last 3 to 5 years, there has been a general enlightenment concerning the utility of crime analysis and the consequential interest in developing effective, working programs. Numerous agencies state that they are involved in a crime analysis program but, upon close examination, few can be described as being comprehensive or current, or having a sophisticated and effective program.

4.2 Conclusions

- There is an increasing interest in learning and applying analytical techniques by law enforcement agencies and planners.

- There now exist no known training courses of any duration with the specific intent of training law enforcement practitioners or planners in the techniques and application of crime analysis.

- A small number of agencies have operational systems that employ effective data collection and analysis techniques which result in an up-to-date practical

product that can be used to predict, deploy,
and otherwise more effectively use agency
resources toward the reduction of crime.

- Publications regarding the topics are limited.

APPENDIX A

. Individuals, Agencies, and Associations
Contacted by the Consultant

Lt. A. L. Aldridge
Baldwin Park Police Department
Baldwin Park, CA

Capt. George Conroy
Los Angeles Police Department
Los Angeles, CA

Mr. Tom Esensten
Southern California Criminal Justice Planning Institute
University of Southern California
Los Angeles, CA

Computer Operated Police Information Management System
Redondo Beach Police Department
Redondo Beach, CA

California Police Officer Standards and Training
Sacramento, CA

Mr. Larry Funk
Mayor's Criminal Justice Council
San Francisco, CA

Mr. Charles D. Weller
Denver Anti-Crime Council
Denver, CO

Mr. Fred Newton
Crime Analyst
Pueblo Police Department
Pueblo, CO

Mr. John Gervasio
Southern Central Regional Supervisory Board (RPU)
New Haven, CT

Mr. Joseph W. Kenney
New Haven Police Department
New Haven, CT

Mr. Blair Ewing
Office of Planning and Management
LEAA
Washington, DC

Ms. Nancy Loving
National League of Cities
U. S. Conference of Mayors
Criminal Justice Project
Washington, DC

Mr. Tom Steele
Washington, DC, Metropolitan Police Department
Washington, DC

The Police Foundation
1909 K Street, NW
Washington, DC

Mr. Michael Terry
Atlanta Impact Project
Atlanta, GA

Mr. Bart Ranier
Foundation for Research in Law Enforcement
Bloomington, IL

Mr. O. C. Foster
National Crime Prevention Institute
University of Louisville
Louisville, KY

Mr. Ray Garzea
International Association of Chiefs of Police
Gaithersburg, MD

Mr. Preston L. Horstman
National Association of State Directors of Law
Enforcement Training
Gaithersburg, MD

Sgt. Philip Hogan
Massachusetts State Police

Mr. Lynn DeLong
Director, Crime Analysis Unit
Minneapolis Police Department
Minneapolis, MN

Ms. D. Niederkorn
Planning and Evaluation
St. Louis County Police Department
Clayton, MO

Dr. Arthur Meyers
St. Louis Police Department
St. Louis, MO

Mr. Doleshall
National Council on Crime and Delinquency (NCCD)
Information Center
Hackensack, NJ

Mr. Philip McGuire
Criminal Analyst
New York Police Department
New York, NY

Mr. Gary Pence
Luca County RPU
Toledo, OH

Mr. Ross Mullaney
North Central Texas
Regional Police Academy
Arlington, TX

Lt. Cliff Macsas
Dallas Police Department
Dallas, TX

LEAA Regional Police Specialists

APPENDIX B

California Crime Technological Research Foundation
Crime Analysis Seminar

The training project conducted by the California Crime Technological Research Foundation (CCTRF) under a grant from LEAA is the only known significant crime analysis training conducted on a national basis. It was prepared utilizing the LEAA publication Police Crime Analysis Unit Handbook, a prescriptive package and attached workbook.

Courses were conducted in each of the ten LEAA regions for a total of 400 participants. The intent of the course was to provide an orientation to the utilization and techniques of crime analysis for personnel who would be directly involved in such activity or supervising the same. The duration of each course was 3 days, the content of which is outlined in the course workbook. Not included are the materials utilized on Days Two and Three in practical exercises in analysis and in the design of a crime analysis unit.

Responses to the course were positive, and many participants felt additional training should be offered. Frequently, more than one representative from an agency would attend; consequently, the degree of exposure to the training on a national level has been very limited. At this time, no additional course offerings are contemplated by CCTRF. However, the staff involved in the course have discussed making training and/or assistance available.

CRIME ANALYSIS SEMINAR

SESSION NO. 1

Title: Class Introduction and Organization
Description: Representatives from the Regional LEAA Office and the Project Staff will welcome the students to the Crime Analysis Unit program, describing LEAA's interests and role in such training. Each student will briefly introduce himself to the class. Basic matters regarding logistics will be cared for.

SESSION NO. 2

Title: Course Overview
Description: A general introduction to crime analysis will be presented, including discussion of its utility; its input, processing, and output requirements; and considerations in organizing and evaluating a crime analysis unit.

SESSION NO. 3

Title: Introduction to Basic Crime Analysis Techniques
Description: Students will be introduced to simple, but practical crime analysis techniques; including descriptive statistics, map methods, data enrichment, M.O. analysis, resource management, ratio analysis, and prediction techniques. This session will be a mix of lectures and in-class practices.

SESSION NO. 4

Title: Crime Analysis Unit Organizational Factors
Description: Types and levels of skills required to meet the objectives of a Crime Analysis Unit will be discussed. Factors such as automation, sworn/unsworn personnel mixes, and unit location with the sponsoring agency will be covered. Operational examples will be presented.

SESSION NO. 5

Title: CAU Evaluation Techniques
Description: The necessity and means for evaluating the operational effectiveness of a CAU will be discussed. Both the internal and external impact of the unit will be examined. Quantitative approaches to the evaluation of performance will be addressed.

SESSION NO. 6

Title: Justifying A Crime Analysis Unit
Description: Successful methods for "selling" a CAU to a parent organization will be discussed. Pertinent data and other considerations necessary to justify a CAU will be delineated. An operational unit will be used as the basis of this session.

SESSION NO. 7

Title: Summary
Description: This session will provide a review of the major issues developed in furtherance of course objectives. Closing discussions, questions and answers, and course critique will be elicited.

APPENDIX C

Law Enforcement Agencies with Crime Analysis Units

The following list of law enforcement agencies was obtained, in great part, as a result of the Crime Analysis Course presented during 1975 by the California Crime Technological Research Foundation. Therefore, it is not represented to be a complete or current listing of agencies claiming a crime analysis operation. It is recognized that there are numerous other agencies having or developing crime analysis components.

The individuals shown in the analyst column may, in some instances, not be the analyst per se; rather, they may be the individual(s) under whose direction the analysis unit functions.

AGENCY	COM- PUTER USED	COMMENTS OR DESCRIPTION OF TYPE OF ANALYSIS	NAME OF ANALYST	BACKGROUND	DEPT. DESCRIPTION
<u>ALABAMA</u> Mobile Police Dept. 51 Government Street Mobile, Alabama 36608		N/A	Sgt. J. W. Gill	12 yrs. in law enf High School educ.	190,000 population 325 sworn personnel
Birmingham P. D. 710 N. 20th Street Birmingham, Alabama 35203	X	Dept. owned computer	Lee Hitchcock Sgt. E. E. East	1 1/2 yrs R & D Div., BS Degree Civilian 19 yrs. in law enf MA Degree	309,000 pop. 700 sw. pers.
<u>ALASKA</u> Dept. of Public Safety - State of Alaska Pouch N Juneau, Alaska 99811		Limited Crime Analysis Unit	F. N. Gorham	11 yrs. as police advisor to foreign police agencies 26 yrs. in law enf MA Degree Chief Planner	350,000 pop. 310 sw. pers.
<u>ARIZONA</u> Phoenix P. D. 620 W. Washington Phoenix, Arizona 85003	X	Shared Computer	W. K. Datson	2 1/2 yrs. as civilian in law enf. agency Masters Sup. - Statistics Research Section	786,557 pop. 1,506 sw. pers.
Tucson, Az. P. D. P.O. Box 1071 Tucson, Arizona 85702	X	Partially computerized Shared Computer	S. Shomonta	4 yrs. in Budget Sup. - Mgmt. & Budget Unit Masters	340,000 pop. 547 sw. pers.

R-76-114
C-3

AGENCY	COM- PUTER USED	COMMENTS OR DESCRIPTION OF TYPE OF ANALYSIS	NAME OF ANALYST	BACKGROUND	DEPT. DESCRIPTION
<u>CALIFORNIA</u> Calif. Highway Patrol 2611 26th Street Sacramento, CA	X	Shared Computer Management info. system is auto- mated - Tactical system dealing with MO's and specialties is manual	M. S. Garver	7 yrs. in law enf. BS Degree State Traffic Off.	21,000,000 - State 5,600 sw. pers.
Calif. Dept. of Justice - OCCIB 3301 "C" Street Room 6100 Sacramento, CA 95816		Partially automated	R. G. Leyrer	20 yrs. in law enf. BS Degree Sup. - Central Coor. Agency	Statewide Agency 11 sworn pers.
Regional Criminal Justice Plng. Board Santa Clara Co. 447 No. 1st San Jose, CA 95112	X	Shared Computer <u>CAPER Project</u> - Data manually collected, keypunched & tabular/ map output generated in batch mode	G. M. Shannon, Jr. R. K. Reeve	7 yrs. in law enf. Ph.D. Project Director 3 yrs. in crim. just. plng. Masters	1,200,000 - Region
Tri-County on Crimi- nal Justice 3640 13th Street Riverside, CA 92501	X	Shared Computer	S. Blythe	4 yrs. in law enf. BS Degree Criminal Justice Planner	225,000 pop. 376 sworn pers.
Fresno P. D. 2323 Mariposa Fresno, CA 93712	X	Limited Records - Statistics in batch form Shared Computer	Sgt. G. R. Webster	22 yrs. in law enf. BS Degree	178,000 pop. 319 sworn pers.

R-76-114
C-4

R-76-114
C-5

AGENCY	COM- PUTER USED	COMMENTS OR DESCRIPTION OF TYPE OF ANALYSIS	NAME OF ANALYST	BACKGROUND	DEPT. DESCRIPTION
Berkeley P. D. 2171 McKinley Avenue Berkeley, CA 94703	X	Partially Computerized Shared Computer	Lt. D. C. Smithson	20 yrs. in law enf. BS Degree	114,000 pop. 187 sworn pers.
San Jose P. D. 201 West Mission San Jose, CA 95103	X	Partially Automated Shared Computer	E. Lu	7 yrs. in Statistics Masters	541,000 pop. 727 sworn pers.
Region D Criminal Justice Plng. Board 1225 - 8th Street Suite 400 Sacramento, CA 95814		N/A	K. L. Rosa	3 yrs. in CJ Plng. Masters	1,360,000 - Region
Anaheim P. D. 425 S. Harbor Blvd. Anaheim, CA 92803		Crime Analysis Unit in preliminary development	M. L. Schander	5 yrs. in law enf. Masters	191,800 pop. 283 sworn pers.
Sacramento P. D. 813 - 6th Street Sacramento, CA 95814	X	Shared Computer	B. H. Thayer	18 yrs. in law enf. BS Degree Deputy Chief	263,000 pop. 518 sworn pers.

R-76-114
C-6

AGENCY	COM- PUTER USED	COMMENTS OR DESCRIPTION OF TYPE OF ANALYSIS	NAME OF ANALYST	BACKGROUND	DEPT. DESCRIPTION
Oakland Police Dept. 455 -- 7th Street Oakland, CA 94607	X	Arrests computerized only Shared Computer	Sgt. P. R. Needham	12 yrs. in law enf. Sup - Crime Analy- sis Section BS Degree	362,100 pop. 696 sworn pers.
Office of Criminal Justice Planning 100 Webster, St. 104 Oakland, CA 94607		N/A	B. Kern	5 yrs. - CJ Planner Masters Coor - Research & Planning	1.2 million - Region
Riverside Sheriff's Office P.O. Box 512 County Courthouse Riverside, CA 92501	X	Shared Computer	Sgt. N. R. Padilla	12 1/2 yrs. in law enf. AA Degree	250,000 pop. 375 sworn pers.
San Francisco P. D. 850 Bryant Street San Francisco, CA 94103	X	Shared Computer	Lt. F. M. Jordan	18 yrs. in law enf. BS Degree	700,000 pop. 1,935 sworn pers.
San Diego P. D. 801 W. Market San Diego, CA 92101	X	Shared Computer	Capt. C. Ecklund	19 yrs. in law enf. BS Degree Director - Info. Systems	750,000 pop. 1,200 sworn pers.

AGENCY	COM- PUTER USED	COMMENTS OR DESCRIPTION OF TYPE OF ANALYSIS	NAME OF ANALYST	BACKGROUND	DEPT. DESCRIPTION
Huntington Beach Police 2000 Main Street Huntington Beach, CA 92648	X	Very limited computerization Two Computers - Shared and Dept. owned	Sgt. R. Fickle	19 yrs. in law enf. BS Degree	145,000 pop. 177 sworn pers.
North Bay Area Crim- inal Justice Plng. Board 1130 1st Street Napa, CA 94558		Regionally being implemented	J. D. Sohl	Industry - 8 yrs. Systems Analyst BS Degree	800,000 - Region
Los Angeles P. D. 1801 South Olive Los Angeles, CA 90012	X	PATRIC - city owned computer, system developed over a period of years - highly sophisticated	Capt. Geo Conroy		
Baldwin Park P. D. 14403 Pacific Ave. Baldwin Park, CA (a regional system)	X	East Valley Intelligence System (EVIS) city owned computer 19 communities participate essentially a pointer system	Lt. A. L. Aldrich	Director of EVIS & city computer services	suburb of L.A.
Los Angeles Sheriff's Office 211 W. Temple St. Hall of Justice Los Angeles, CA 90012	X	RAPS Regional Allocation of Police Services - an information network and management tool	Capt. D. Denison Lee Rising		

R-76-114
C-7

AGENCY	COM- PUTER USED	COMMENTS OR DESCRIPTION OF TYPE OF ANALYSIS	NAME OF ANALYST	BACKGROUND	DEPT. DESCRIPTION
Redondo Beach P. D. 401 Diamond Street Redondo Beach, CA 90277	X	City owned computer - on line COPIMS - Computer Operated Police Info, System, moving into alloca- tion and deployment programs - a similar program for traffic called TRACES	Capt. Cavanaugh Roger Bass	Civilian EDP analyst & sworn co-staff	65,500 pop. 79 sworn pers. 35 civilian
Santa Ana P. D. 24 Civic Center Plaza Santa Ana, CA 92701	X	Management Information only at- this time, anticipate developing prediction capabilities within 1 1/2 years.	Lt. Jack Bassett		
<u>COLORADO</u> Colorado Springs P.D. 1515 N. Academy Blvd. Suite 225 Colorado Springs, Colorado 80909	X	Shared Computer	E. H. Perdue	8 mos - Crime Analyst BS Degree	178,000 pop. 276 sworn pers.
Arapahoe County SCAT - Denver Region- al Council of Gov. 1700 W. Belleview Littleton, Colo 80120		N/A	R. A. Gillice	2 yrs. in law enf. Masters Chief - Research Analysis/Evalua- tion	212,000 pop. 5 pers. (SCAT)
Denver P. D. 1257 Champa St. Denver, Colo. 80204	X	Shared Computer - General dept. analysis & special project "tac team" SCAT special crime attack team	Det. J. G. Wattles Frank Egan	4 1/2 yrs. in law enf - H. S. Educ.	500,000 pop. 1,300 sworn pers.

R-76-114
C-8

AGENCY	COM- PUTER USED	COMMENTS OR DESCRIPTION OF TYPE OF ANALYSIS	NAME OF ANALYST	BACKGROUND	DEPT. DESCRIPTION
Pueblo P. D. 130 Central Main St. Pueblo, Colo 81003		Grant submitted to LEAA at this time	Chief E. L. Willoughby	21 yrs. in law enf. High School educ.	108,000 pop. 194 sworn pers.
<u>CONNECTICUT</u> Dept. of Police Services 157 Church Street New Haven, Conn. 06570	X	Advanced & innovative application Shared Computer Being implemented at present "Direct Deterrant Patrol Project" Tied into a regional effort, uti- lize city computer	J. W. Kenny	15 yrs. in law enf Masters Director - Ping. & Evaluation	135,000 pop. 420 sworn pers.
Regional Connecticut - Cities of Milford, Hamden, Easthaven, West- haven, Northhaven & Branford	X	Innovative Patrol Operations tied into New Haven, Conn., each agency having a terminal	John Gervasio	Coordinator of RPU "So Central Regio- nal Supervisory Board	pop. range 20,000 to 60,000 max. dept. size 100
<u>DELAWARE</u> Newark P. D. 294 E. Main Newark, Delaware 19711					30,000 pop. 42 sworn pers.

R-76-114
C-9

AGENCY	COM- PUTER USED	COMMENTS OR DESCRIPTION OF TYPE OF ANALYSIS	NAME OF ANALYST	BACKGROUND	DEPT. DESCRIPTION
<u>FLORIDA</u> Miami P. D. 1145 N.W. 11 Street Miami, Florida 33136	X	Department owned Computer System	Sgt. E. B. Putman	12 1/2 yrs. in law enf. BS Degree	350,000 pop. 735 sworn pers.
<u>GEORGIA</u> Savannah P. D. 323 E. Oglethorpe Ave Savannah, GA 31402	X	Shared Computer	M. S. Staubes	2 yrs. in law enf. Masters	120,000 pop. 224 sworn pers.
Columbus P. D. 937 1st Avenue Columbus, GA 31902	X	Semi-automated system Shared Computer	W. E. Mott	10 yrs. in law enf. BS Degree Director	170,000 pop. 308 sworn pers.
DeKalb County P. D. Camp Road Complex 4400 Memorial Drive Decatur, GA 30032	X	Shared Computer	S. J. Almy	3 yrs in law enf. Masters Plng. Director	500,000 pop. 347 sworn pers.
Atlanta Impact 96 Mitchell Atlanta, GA	X	CAT (Crime Analysis Team) Shared time in Columbus, Ohio. Do 3,4 & 20 year trend & regression analysis of police, courts, correc- tions. Staffs crim. just. co-ord council provide beat structure & deployment suggestions	Michael Terry	Lawyer & computer analytical training	serves city of Atlanta 800,000 Also provides services to county & state agencies

R-76-114
C-10

AGENCY	COM- PUTER USED	COMMENTS OR DESCRIPTION OF TYPE OF ANALYSIS	NAME OF ANALYST	BACKGROUND	DEPT. DESCRIPTION
<u>HAWAII</u> Honolulu P. D. 1455 So. Beretania St Honolulu, Hawaii 96814	X	Shared Computer	Lt. D. M. Baker	16 yrs. in law enf. BS Degree	693,000 pop. 1,470 sworn pers.
<u>IDAHO</u> Idaho Law Enforcement Planning Commission		N/A.	E. C. Lipple	11 yrs. in law enf. BS Degree Police Specialist	
Ada County Sheriff's Office 514 W. Jefferson Boise, Idaho 83702	X	Shared Computer	Lt. E. T. Barnes	8 yrs. in law enf. AA Degree	130,000 pop.
Pocatello P. D. 209 E. Lewis Pocatello, Idaho 83201		Some computerization scheduled 1/76 on shared computer	Sgt. J. H. Jensen	Head of Crim. Prev. 18 yrs. in law enf High School educ.	50,000 pop. 62 sworn pers.
<u>ILLINOIS</u> Crescent Regional Crim. Just. Council 321 James Street Geneva, IL 60134		N/A	R. A. Doran	5 yrs. in law enf. Masters Asst. Exec. Dir.	1.5 million Statewide Agency

R-76-114
C-11

AGENCY	COM- PUTER USED	COMMENTS OR DESCRIPTION OF TYPE OF ANALYSIS	NAME OF ANALYST	BACKGROUND	DEPT. DESCRIPTION
Greater Egypt Regional Plng. & Development Commission P.O. Box 3160 Carbondale, IL 62901		N/A	J. R. Rush	8 yrs. in regional plng. MA Degree Director	300,000 - Region
Illinois Law Enforce- ment Commission 101 South Broadway Salem, Ill 62881		N/A	J. E. Sanders	2 yrs. in law enf. 4 yrs. in research & development BS Degree Executive Director	260,000 pop.
INDIANA Evansville P. D. 15 N.W. 7th Street Evansville, In 47708		Automated System	J. D. Ginger, Jr.	6 yrs. in law enf. BS Degree	139,000 pop. 264 sworn pers.
South Bend P. D. 701 W. Sample Street South Bend, Ind. 46621	X	Shared Computer	Sgt. C. P. Degucz	16 yrs. in law enf. High School Educ.	122,000 pop. 256 sworn pers.
Indianapolis P. D. Indianapolis, Ind.			Capt. J. Kessler	Crime Analysis Team	

R-76-114
C-12

R-76-114
C-13

AGENCY	COM- PUTER USED	COMMENTS OR DESCRIPTION OF TYPE OF ANALYSIS	NAME OF ANALYST	BACKGROUND	DEPT. DESCRIPTION
ICMA Central Iowa Area Crime Commission 1221 Center, St. 2 Des Moines, Iowa 50309		N/A	E. E. Fett	2 yrs. in law enf. High School Educ.	provides service to 12-county area 624,000 pop.
Des Moines P. D. E. 1st & Court Ave. Des Moines, Iowa 50309	X	Partially computerized Shared Computer	Comm. J. L. Jones	6 yrs. in law enf. BS Degree Director - R & D	200,000 pop. 323 sworn pers.
Cedar Rapids P. D. 310 Second, S.W. Cedar Rapids, Iowa 52405		N/A	Sgt. C. E. Irons	12 yrs. in law enf. BS Degree	120,000 pop. 151 sworn pers.
Iowa Bureau of Crim. Investigation Lucas State Off. Bldg. Des Moines, Iowa 50319	X	Shared Computer	R. Buchner	BS Degree	State of Iowa 42 sworn pers.
Davenport P. D. 226 W. 4th Street Davenport, Iowa 52801	X	At present, only dispatch & offenses are computerized Shared Computer	Sgt. M. J. Drichel	11 yrs. in law enf. High School educ.	100,000 pop. 134 sworn pers.

AGENCY	COM- PUTER USED	COMMENTS OR DESCRIPTION OF TYPE OF ANALYSIS	NAME OF ANALYST	BACKGROUND	DEPT. DESCRIPTION
<u>KANSAS</u> Overland Park P. D. 8500 Santa Fe Drive Overland Park, KS 66212	X	Partially automated Shared Computer	J. J. Weaver	5 yrs. in law enf. BS Degree Patrolman	85,000 pop. 91 sworn pers.
Wichita P. D. P. O. Box 670 Wichita, KS 67202	X	Shared Computer	Lt. E. J. Kuntz	13 yrs. in law enf. BS Degree	280,000 pop. 403 sworn pers.
Junction City P. D. 7th & Jefferson Junction City, KS 66441		N/A	Lt. J. R. Manns	4 yrs. in law enf. High School Educ.	50,000 pop.
Topeka P. D. 204 W. 5th Street Topeka, KS 66603		N/A	Capt. D. Collie	22 yrs. in law enf. High School Educ.	171,000 pop. 214 sworn pers.

R-76-114
C-14

AGENCY	COM- PUTER USED	COMMENTS OR DESCRIPTION OF TYPE OF ANALYSIS	NAME OF ANALYST	BACKGROUND	DEPT. DESCRIPTION
<u>KENTUCKY</u> Louisville Division of Police 633 W. Jefferson St. Louisville, KY 40202	X	Partially automated Shared Computer	Sgt. H.R. Rausch	15 yrs. in law enf. AA Degree Director - Png. . & Research	360,000 pop. 794 sworn pers.
<u>LOUISIANA</u> New Orleans P. D. 715 S. Broadway New Orleans, LA 70119	X	Shared Computer	H. M. Collins	3 yrs. in law enf. Ph.D. Director - Research & Png. Div.	623,000 pop. 1,400 sworn pers.
Ouachita Parish Sheriff's Dept. P.O. Box 1803 Monroe, LA 71201		N/A	C. H. Gregory	15 yrs. in law enf. BS Degree	126,000 pop. 105 sworn pers.
Lake Charles P. D. P.O. Box 1564 Lake Charles, LA 70601		N/A	D. R. Hedrick	6 yrs. in law enf. High School Educ	100,000 pop. 100 sworn pers.
Louisiana Dept. of Public Safety New Orleans, LA		N/A	M. A. Core	4 yrs. - Army Intel BS Degree Intell. Analyst	4 million Statewide

R-76-114
C-15

R-76-114
C-16

AGENCY	COM- PUTER USED	COMMENTS OR DESCRIPTION OF TYPE OF ANALYSIS	NAME OF ANALYST	BACKGROUND	DEPT. DESCRIPTION
Shreveport P. D. 1234 Texas Avenue Shreveport, LA 71101		N/A	Lt. R. Merolla	14 yrs. in law enf. AA Degree	200,000 pop. 385 sworn pers.
Jefferson Parish Sheriff's Office P.O. Box 327 Gretna, LA 70053	X	Semi-computerization Shared Computer	Lt. J. A. Day	9 yrs. in law enf. High School Educ.	485,000 pop. 736 sworn pers.
<u>MAINE</u> Portland Police 109 Middle Street Portland, Maine 04111		N/A	Deputy Chief M. C. Harvey	19 yrs. in law enf. BS Degree Bureau Head - Staff Services	72,000 pop. 167 sworn pers.
Maine State Police 36 Hospital Street Augusta, Maine 04330	X	Shared Computer - Central State Computer Services acts as service for computer program storage and output/officer activity reports, arrest reports, accident reports	Sgt. J. D. Chester	20 yrs. in law enf. High School Educ. Asst. PR Officer	1 million - state wide 319 sworn pers.
<u>MARYLAND</u> Howard County P. D. 3416 Ct. Hse Drive Elliott City, Md 21043	X	Shared Computer	Sgt. E. C. Cameron	17 yrs. in law enf. AA Degree	77,000 pop. 130 sworn pers.

AGENCY	COM- PUTER USED	COMMENTS OR DESCRIPTION OF TYPE OF ANALYSIS	NAME OF ANALYST	BACKGROUND	DEPT. DESCRIPTION
<u>MASSACHUSETTS</u> Newton P. D. 1321 Washington St. Newton, MA 02165	X	Dept. owned computer	D. R. McArdle	16 yrs. in law enf. BS Degree Dept. Statistician	90,000 pop. 230 sworn pers.
Worcester P. D. 3 Waldo Street Worcester, MA 01608	X	Only radio call assignment records are currently computerized	W. J. Halacy	1 yr. in Analysis & Evaluation Masters	180,000 pop. 450 sworn pers.
Mayor's Office of Criminal Justice 73 Hemenway Street 5th Floor Boston, MA 02115		N/A	K. Shaffer	2 yrs. in law enf. Law School Director of Plng.	650,000 pop.
Springfield Police 130 Pearl Street Springfield, MA 01105	X	Not all records computerized ; Shared Computer	Lt. P. A. DiStefano	27 yrs. in law enf. High School educ. Comm. Off - Records Div. Aide to Chief	170,000 pop. 450 sworn pers.
Amherst P. D. Boltwood Avenue Amherst, MA 01002		In process of establishing an automated system	Sgt. D. P. Jankowski	5 yrs. in law enf. BS Degree	35,000 pop. 24 regulars 8 C.S.O.'s

R-76-114
C-17

AGENCY	COM- PUTER USED	COMMENTS OR DESCRIPTION OF TYPE OF ANALYSIS	NAME OF ANALYST	BACKGROUND	DEPT. DESCRIPTION
Cambridge Police 5 Western Avenue Cambridge, MA 02139		N/A	Chief F.A. Pisani	17 yrs. in law enf. BS Degree Chief - Adm.	100,000 pop. 350 sworn pers.
New Bedford P. D. 25 Spring Street New Bedford, MA 02740		N/A	Lt. R. A. Benoit	8 yrs. in law enf. BS Degree	103,000 pop. 274 sworn pers.
Quincy Police South Artery Quincy, MA 02169		N/A	Capt. F. D. Tighe	27 yrs. in law enf. High School Educ.	90,000 pop. 234 sworn pers.
Boston P. D. 154 Berkeley Street Boston, MA 02116	X	Department owned computer	Deputy Director J. E. Lambert	6 yrs. in law enf. BS Degree	600,000 pop. 2,500 sworn pers.
Fall River P. D. 158 Bedford Street Fall River, MA 02720		N/A	Chief H. Ramos	28 yrs. in law enf. AA Degree	96,000 pop.

R-76-114
C-18

R-76-114
C-19

AGENCY	COM- PUTER USED	COMMENTS OR DESCRIPTION OF TYPE OF ANALYSIS	NAME OF ANALYST	BACKGROUND	DEPT. DESCRIPTION
Massachusetts State Police 1010 Commonwealth Ave Boston, MA 02215	X	Department owned computer	Det. Lt. J. H. Sharkey	22 yrs. in law enf. AA Degree	Statewide 6 million 925 sworn pers.
MICHIGAN Battlecreek P. D. 20 North Division Battlecreek, Michigan 49014			Capt. R. Romilson and Lt. H. Wilson	Operations Plng. Unit	
Pontiac P. D. 110 E. Pike Street Pontiac, MI 48058	X	Just starting computerized records Shared Computer	Patrolman P. H. Rock	14 yrs. in law enf. High School educ.	85,700 pop. 204 sworn pers.
Detroit Police 1300 Ecaubien Detroit, MI 48226		N/A	Lt. J. L. Humphrey	12 yrs. in law enf. BS Degree	1,330,000 pop. 5,400 sworn pers.
Michigan St. Police 714 S. Harrison Rd. E. Lansing, MI 48823		N/A	Sgt. P. Hogan	10 yrs. in law enf. BS Degree	6 million - State wide 2,000 sworn pers.

AGENCY	COM- PUTER USED	COMMENTS OR DESCRIPTION OF TYPE OF ANALYSIS	NAME OF ANALYST	BACKGROUND	DEPT. DESCRIPTION
Detroit-Wayne County Criminal Justice Coordinating Council	X	Partially automated Some computerization Dept. owned and shared computers	A. N. Montgomery	22 yrs. in CJ Plng. Masters	3 million Statewide 7,500 sworn pers.
Saginaw P. D. 1315 S. Washington Saginaw, MI 48601	X	Dept. owned computer	T. Braaten	5 yrs. in law enf. Masters	91,000 pop. 211 sworn pers.
<u>MINNESOTA</u> Minneapolis P. D. Room 109 Courthouse Minneapolis, MN 55415	X	Some computerized records Shared Computer	L. E. DeLong	8 yrs. in law enf. Masters Director/Systems Evaluation	434,000 pop. 950 sworn pers.
<u>MISSISSIPPI</u> Mississippi Division Of Justice 510 George Street Suite 200 Jackson, Miss. 39211	X	Shared Computer	G. Robinson	4 yrs. in law enf. BS Degree	
Jackson P. D. 327 E. Pascagoula St Jackson, Miss	X	Shared Computer	M. E. Berry	4 1/2 yrs. in law enf. - high school educ. - Records Analyst	161,200 pop. 329 sworn pers.

R-76-114
C-20

AGENCY	COM- PUTER USED	COMMENTS OR DESCRIPTION OF TYPE OF ANALYSIS	NAME OF ANALYST	BACKGROUND	DEPT. DESCRIPTION
<u>MISSOURI</u> St. Louis County Dept. of Police 7900 Forsyth Clayton, Missouri 63105	X	Shared Computer	D. Niederkorn	Masters Degree in Planning 1 1/2 yrs. in law enf.	348,000 pop. 558 sworn pers.
University City P. D. 6801 Delmar Blvd. University City, Missouri 63130		N/A	Sgt. S. E. Wilcox	16 yrs. in law enf. BA Degree	50,000 pop. 81 sworn pers.
Kansas City P. D. 1120 Lindenwood Kansas City, Missouri 64109	X	Department owned	Sgt. D.E. Lyon Capt. L.J. Joiner	19 yrs. in law enf. BS Degree 14 yrs. in law enf Masters	507,000 pop. 1,271 sworn pers.
<u>MONTANA</u> Montana Board of Crime Control 1336 Helena Ave. Helena, Montana 59601	X	Shared for the entire State of Montana - Offense and arrest data are computerized	Bill Erwin	4 yrs. in law enf. Masters Crim. Just. Data Center	721,000 - Statewide
Billings P. D. P.O. Box 1554 Billings, MT 59103	X	Partially computerized Shared computer	Lt. E. E. Kiser	14 yrs. in law enf. BS Degree	75,000 pop. 101 sworn pers.

R-76-114
C-21

R-76-114
C-22

AGENCY	COM- PUTER USED	COMMENTS OR DESCRIPTION OF TYPE OF ANALYSIS	NAME OF ANALYST	BACKGROUND	DEPT. DESCRIPTION
<u>NEBRASKA</u> Omaha Police Div. 505 South 15th St. Omaha, Neb. 68132	X	Shared Computer	K. L. Johnson	12 yrs. in law enf. BS Degree	407,000 pop. 588 sworn pers.
Nebraska Comm. on Law Enf. & Crim. Just. 1420 P Street Lincoln, Neb. 68508		Automated	K. W. Jenkins	10 mos. in law enf. B.S. Degree	1.5 million Statewide
<u>NEVADA</u> Henderson P. D. 243 Water Street Henderson, NV 89015	X	Shared Computer	Sgt. R. J. Delia	8 yrs. in law enf. AA Degree	20,000 pop. 40 sworn pers.
Las Vegas Metropoli- tan P. D. 400 E. Stewart Avenue Room 123H Las Vegas, NV 89101	X	Shared Computer	Sgt. R. Thimsen	21 yrs. in law enf. High School educ. Project Manager - Automated Command & Control System Dev.	750,000 pop. 972 sworn pers.
Nevada Crime Comm. 430 Jeanell Street Carson City, NV 89701	X	Shared Computer	J. A. Barrett	21 yrs. in law enf. BS Degree Director - Crime Commission	600,000 pop.

AGENCY	COM- PUTER USED	COMMENTS OR DESCRIPTION OF TYPE OF ANALYSIS	NAME OF ANALYST	BACKGROUND	DEPT. DESCRIPTION
Dept. of Law Enforcement Assistance Plng. & Training Div. State Capitol Carson City, NV 89710	X	Dept. Owned Computer	J. W. Peevers	16 yrs. in law enf. BA Degree Chief of Training Division	Statewide 30 sworn pers.
Dept. Law Enforcement Assistance 430 Jeanell Street Carson City, NV 89701	X	Just getting under way Shared computer	H. A. Lipparelli	4 1/2 yrs. in law enforcement Masters Lead Planner	Statewide 10-15 sworn pers.
North Las Vegas Police 1301 E. Lake Mead Blvd. N. Las Vegas, NV 89030		Semi-automated function	Sgt. J. Rowley	10 yrs. in law enf. High School educ.	47,000 pop. 115 sworn pers.
Criminal Justice Plng Comm. of Washoe Co. Washoe Co. Court- house P.O. Box 11130 Reno, NV 89510		N/A	M. S. Katz	7 yrs. in law enf. Masters Plng. Division	150,000 pop.
Wahoe County Sheriff Dept. 170 S. Sierra St. Reno, NV 89505	X	Partially automated Participant in SCOPE System Shared Computer	Undersheriff V. G. Swinney	6 yrs. in teaching & research 6 yrs. in adm. Masters	150,000 - co. pop. 131 sworn pers.

R-76-114
C-23

AGENCY	COM- PUTER USED	COMMENTS OR DESCRIPTION OF TYPE OF ANALYSIS	NAME OF ANALYST	BACKGROUND	DEPT. DESCRIPTION
<u>NEW HAMPSHIRE</u> Manchester P. D. Chestnut Street Manchester, New Hampshire 03103		N/A	Capt. L. J. Craig	11 yrs. in law enf. Masters Chief - Adm. Div.	100,000 pop. 180 sworn pers.
<u>NEW JERSEY</u> Jersey City P. D. EDP Unit 8 Erie Street Jersey City, N.J. 07302		Automated Crime Analysis Unit	M. H. Wallach	1 1/2 yrs. in com- puter processing J.D. Project Director - Electronic Data Processing Unit	260,000 pop. 950 sworn pers.
Trenton P. D. 225 No. Clinton Ave. Trenton, NJ 08604	X	Shared Computer	Capt. L. H. Smith	22 yrs. in law enf. AA Degree	104,000 pop. 405 sworn pers.
New Jersey State Police Box 7068 West Trenton, NJ 08625	X	Shared Computer	Det. Sgt. P. J. Martinasco	11 yrs. in law enf. High School Educ.	State of New Jersey 1,700 sworn pers.
New Brunswick P. D. Memorial Parkway New Brunswick, NJ 08903		N/A	Off. D. W. Baker	2 yrs. in law enf. BS Degree	42,000 pop. 136 sworn pers.

R-76-114
C-24

AGENCY	COM- PUTER USED	COMMENTS OR DESCRIPTION OF TYPE OF ANALYSIS	NAME OF ANALYST	BACKGROUND	DEPT. DESCRIPTION
Edison P. D. Woodbridge & Plain- field Avenues Edison, NJ 08817	X	Not full computerization Shared Computer	Sgt. G. R. Bandics	10 yrs. in law enf. AA Degree	75,000 pop. 132 sworn pers.
Paterson P. D. Paterson City Hall 155 Market Street Paterson, NJ 07515	X	Shared Computer Incident Report for 2 years - arrest jacket file in conversion at present time	Sgt. J. J. Coyle	18 years in law enf High school educ.	150,000 pop. 430 sworn pers.
Camden P. D. City Hall 8th Floor Camden, NJ 08101		System is automated	E. K. Borman	8 yrs. in law enf. AA Degree	100,000 pop.
<u>NEW MEXICO</u> Albuquerque P. D. 401 Marquette NW Albuquerque, NM 87103	X	Owned by Dept. and shared computer	Patrolman J. W. Pedroncelli	16 yrs. in law enf. BS Degree	300,100 pop. 511 sworn pers.
<u>NEW YORK</u> Albany P. D. APO, Public Safety Bldg. Morton Ave. Albany, NY 12202		N/A	M. E. Cimura	4 mos. in law enf. BS Degree	115,000 pop. 425 sworn pers.

R-76-114
C-25

CONTINUED

1 OF 2

AGENCY	COM- PUTER USED	COMMENTS OR DESCRIPTION OF TYPE OF ANALYSIS	NAME OF ANALYST	BACKGROUND	DEPT. DESCRIPTION
Nassau Co. P. D. 1550 Franklin Ave. Mineola, NY 11501	X	Shared Computer	Dep. Insp. A. Mulstay	19 yrs. in law enf. AA Degree Comm. Officer- Data Processing Dureau	1,420,000 pop. 3,856 sworn pers.
Syracuse P. D. 511 So. State Street Syracuse, NY 13202	X	Shared Computer	Capt. J. E. Donohue	18 yrs. in law enf. AA Degree	196,000 pop. 486 sworn pers.
New York City P. D. 1 Police Plaza New York, NY 10038	X	Dept. owned computer Have outstanding prototype system operating	R. Kubick Philip McGuire	2 yrs. in law enf. Masters Civilian, Trained in EDP and analytical procedure	8,000,000 pop. 30,000 sworn pers.
Suffolk Co. P. D. Veterans Highway Hauppauge, NY 11787	X	Partially computerized CAU operating in burglary unit only Shared computer	Dep. Insp. F. Fernandez	19 yrs. in law enf. Masters	1.3 million 2,600 sworn pers.
Troy P. D. 63 State Street Troy, NY 12180		N/A	Cap. G. T. Butler	17 yrs. in law enf. AA Degree	65,000 pop 130 sworn pers.

R-76-114
C-26

AGENCY	COM- PUTER USED	COMMENTS OR DESCRIPTION OF TYPE OF ANALYSIS	NAME OF ANALYST	BACKGROUND	DEPT. DESCRIPTION
Port Authority of New York 625 Eighth Avenue New York, NY 10018		N/A	Capt. K. Smith	19 yrs. in law enf. BS Degree Comm. Officer- Port Auth. Bus Terminal	60,000 pop. 1,200 sworn pers.
<u>NORTH CAROLINA</u> Gastonia P. D. P.O. Box 1748 Gastonia, NC 28052	X	Partially computerized Shared Computer	Sgt. J. R. Carter	13 yrs. in law enf. AA Degree Plr. Officer	50,000 pop. 96 sworn pers.
Fayetteville P. D. P.O. Box 966 Fayetteville, NC 28302		N/A	F. W. Armour	23 yrs. in law enf. AA Degree Director - Records Mgmt. & Info Center	62,000 pop. 130 sworn pers.
<u>NORTH DAKOTA</u> Grand Forks P. D. P.O. Box 1017 800 N. 43rd St. Grand Fork, ND 58201	X	Shared Computer Batch process on a monthly basis	Sgt. R. F. MacCarthy	6 yrs. in law enf. BS Degree	42,000 pop. 64 sworn pers.

R-76-114
C-27

AGENCY	COM- PUTER USED	COMMENTS OR DESCRIPTION OF TYPE OF ANALYSIS	NAME OF ANALYST	BACKGROUND	DEPT. DESCRIPTION
<u>OHIO</u> Dayton P. D. Dayton, Ohio			Paul Woodie & Tim Roirdan		
City of Cleveland Heights P. D. 2953 Mayfield Rd. Cleveland Heights, Ohio 44118		Automated System	Det. Lt. R. A. Salcer	24 yrs. in law enf. High School Educ. Comm. Off - Special Investigations Bureau	62,000 pop. 99 sworn pers.
Toledo P. D. 525 N. Erie St. Toledo, Ohio 43624		Automation in process	Det. T. Purcel	9 yrs. in law enf. BS Degree	400,000 pop. 772 sworn pers.
Ohio State Planning Agency P.O. Box 1001 26th Floor Columbus, Ohio 43216	X	Shared Computer Arrest Records computerized only	J. M. Limber	37 yrs. in law enf. Masters. State Planner	State of Ohio - SPA
Cincinnati Police Division 310 Lincoln Park Drive Cincinnati, Ohio 45214	X	Shared Computer	M. L. Sanders	1 yr. in law enf. Masters	450,000 pop. 1,153 sworn pers.

R-76-114
C-28

AGENCY	COM- PUTER USED	COMMENTS OR DESCRIPTION OF TYPE OF ANALYSIS	NAME OF ANALYST	BACKGROUND	DEPT. DESCRIPTION
<u>OKLAHOMA</u> Oklahoma City P. D. 701 Colcord Drive Oklahoma City, OK 73102		N/A	Sgt. D. R. Adams	11 yrs. in law enf. Masters	391,000 pop. 633 sworn pers.
Norman P. D. 101 E. Gray Norman, OK 73069	X	Monthly summary of incidents Shared computer	Sgt. F. D. Beggs	6 yrs. in law enf. AA Degree	67,200 pop. 89 sworn pers.
<u>OREGON</u> Multnomah County Dept. of Public Safety 222 SW Pine Street Portland, Oregon 97204	X	Analysis operation in research dept. crime statistic unit, rudimentary shared computer	Dept. J. M. Koroloff	7 yrs. in law enf. Masters	180,000 pop. 350 sworn pers.
Lane County Sheriff's Office 125 E. 8th Avenue Eugene, OR 97401	X	Dept: owned computer	Lt. D. Salyers	16 yrs. in law enf. Coor - Burglary Team - AA Degree	235,000 pop. 150 sworn pers.
C.R.I.S.S. 209 SW Oak Street Portland, OR 97204	X	Shared Computer Computerized Informational System	Gail Pline	4 yrs. in law enf. High School Educ. Coor - Info System	750,000 pop. 1,000 sworn pers.

R-76-114
C-29

AGENCY	COM- PUTER USED	COMMENTS OR DESCRIPTION OF TYPE OF ANALYSIS	NAME OF ANALYST	BACKGROUND	DEPT. DESCRIPTION
Columbia Region Info. Sharing System 209 SW Oak Street Portland, OR 97204	X	Shared Computer	E. Snowhill	4 mos. in law enf. EC Degree Coor - Computerized Info. System	750,000 pop. 1,000 sworn pers.
<u>Rhode Island</u> Providence P. D. 209 Fountain St. Providence, RI 02903	X	Rented Computer	Lt. W. J. Clark	16 yrs. in law enf. BS Degree Head - Research & Plng.	180,000 pop. 430 sworn pers.
<u>South Carolina</u> Charleston City Police P.O. Box 98 Charleston, SC 29402	X	Shared Computer	Lt. H. D. Wallter	10 yrs. in law enf. AA Degree	64,000 pop. 174 sworn pers.
Greenville Police 22 W. Broad Street Greenville, SC 29602	X	Shared Computer	O. F. Kirkman	7 yrs. in law enf. MA Degree Coor - Plang. & Research	61,208 pop. 165 sworn pers.

R-76-114
C-30

R-76-114
C-31

AGENCY	COM- PUTER USED	COMMENTS OR DESCRIPTION OF TYPE OF ANALYSIS	NAME OF ANALYST	BACKGROUND	DEPT. DESCRIPTION
TEXAS Garland P. D. 217 N. Fifth Street Garland, TX 75040		N/A	C. Bruce	1 yr. in law enf. High School Educ.	120,000 pop. 122 sworn pers.
Houston P. D. 61 Ricsner Street Houston, TX 77002		N/A	Sgt. J. N. Flagg	16 yrs. in law enf. BS Degree	1,650,000 pop. 2,700 sworn pers.
Dallas P. D. 2301 Commerce Dallas, Texas 75222	X	City owned computer	Lt. C. J. Macsas		
Arlington P. D. 717 W. Main Arlington, TX 76010	X	Computer capabilities operational July 1975, except for arrest reports. Dept. owned	G. W. Robertson	1 yr. in law enf. Masters Crime Analyst	122,000 pop. 146 sworn pers.
Marillo P. D. 609 S. Pierce Street Marillo, TX 79101		N/A	Sgt. J. J. Brewer	13 yrs. in law enf. BA Degree	140,000 pop. 209 sworn pers.

AGENCY	COM- PUTER USED	COMMENTS OR DESCRIPTION OF TYPE OF ANALYSIS	NAME OF ANALYST	BACKGROUND	DEPT. DESCRIPTION
<u>UTAH</u> Salt Lake City Sheriff's Dept. 437 S. 2nd East Salt Lake City, Utah 84111		N/A	Sgt. P. A. Van Wagenen	10 yrs. in law enf. AA Degree Coor - Info. System	500,000 pop. 257 sworn pers.
Duchesne County Sheriff's Dept. P.O. Box 266 Duchesne, Utah 84021		N/A	Sheriff G. Marett	16 yrs. in law enf. High School Educ.	14,000 pop. 9 sworn pers.
<u>WASHINGTON</u> Tacoma P. D. 920 Tacoma Avenue So Tacoma, Wash. 98402		N/A	Capt. W. W. Perrett	AA Degree 21 yrs. in law enf.	155,000 pop. 246 sworn pers.
Seattle P. D. Public Safety Bldg. Room 301 Seattle, Wash. 98104		Very limited computerized records - plans for partial automation Shared Computer	Sgt. D. Fryant	21 yrs. in law enf. AA Degree	500,000 pop. 1,061 sworn pers.

R-76-114
C-32

R-76-114
C-33

AGENCY	COM- PUTER USED	COMMENTS OR DESCRIPTION OF TYPE OF ANALYSIS	NAME OF ANALYST	BACKGROUND	DEPT. DESCRIPTION
<u>WISCONSIN</u> Beloit P. D. 220 W. Grand Avenue Beloit, WI 53511	X	Partially computerized Shared Computer	Insp. Director F. C. Young	11 yrs. law enf. AA Degree Director/Adm Srvs.	40,000 pop. 68 sworn pers.
Madison P. D. Box 1188 Madison, WI	X		J. Butler	Analyst - Special Operations Unit	
Eau Claire P. D. 414 E. Grand Ave. Eau Claire, WI 54701	X	In the process of being fully auto- mated Shared Computer	Sgt. J. P. O'Dell	8 yrs. in law enf. BS Degree	50,000 pop. 75 sworn pers.
Racine P. D. 730 Center Street Racine, WI 53403	X	Fully automated	Chief D. Dodge	31 yrs. in law enf. High School educ.	100,000 pop. 211 sworn pers.
<u>VIRGIN ISLANDS</u> Dept. of Public Safety P.O. Box 210 St. Thomas VI		Crime Analysis Unit operating to a limited degree in St. Thomas	Lt. J. L. James	13 yrs. in law enf. High School Educ. Director	100,000 pop. 393 sworn pers.



APPENDIX D

Introduction to Crime Analysis



CRIME ANALYSIS: A FORMAL DEFINITION

Crime analysis is a set of systematic analytical processes directed towards predicting criminal trends (in both individual and aggregate situations) for the purpose of reducing crime in a cost-effective manner.

CRIME ANALYSIS: BASIC APPLICATIONS

- Increase the number of cases cleared by arrest
- Provide investigative leads to detectives
- Improve operational data for patrol
- Furnish support data to public awareness and involvement programs
- Supply law enforcement related data to urban planning, building permits and codes, transportation systems, construction, etc.
- Identify evolving or existent crime patterns
- Yield substantive data for effectiveness measures of specific programs and/or agency's policies and/or procedures
- Provide supporting data for recommended crime control programs
- Furnish trend data for law enforcement planning, targeting, budgeting, and resource allocation

CRIME ANALYSIS: THE ELEMENTS

- Data Collection - the gathering of specified raw data including, but not limited to, crime reports and known offenders
- Data Collation - the indexing, sorting and storage of raw data to support direct retrieval and data analysis
- Data Analysis - various data processes and organizational schemes to identify patterns
- Recommendations and Dissemination - advice founded on the data analysis and the distribution of same, either written or verbally, within the parent and other organizations on a timely basis
- Implementation - the process of putting the recommendations into operation
- Evaluation - the detailed assessment of change resulting from the implementation and identification of the controllable factors causing the change

CRIME ANALYSIS: REASONS FOR A FORMAL PROCESS

- Increases objectivity
- Enables better coordination
between operational units
- Centralizes analytic function
with assigned responsibility
- Facilitates intra and inter-agency
communication
- Reduces time required to determine
patterns
- Improves capability to identify
trends

DATA COLLECTION

A limited list of sources of data*

INTERNAL TO THE LAW ENFORCEMENT AGENCY

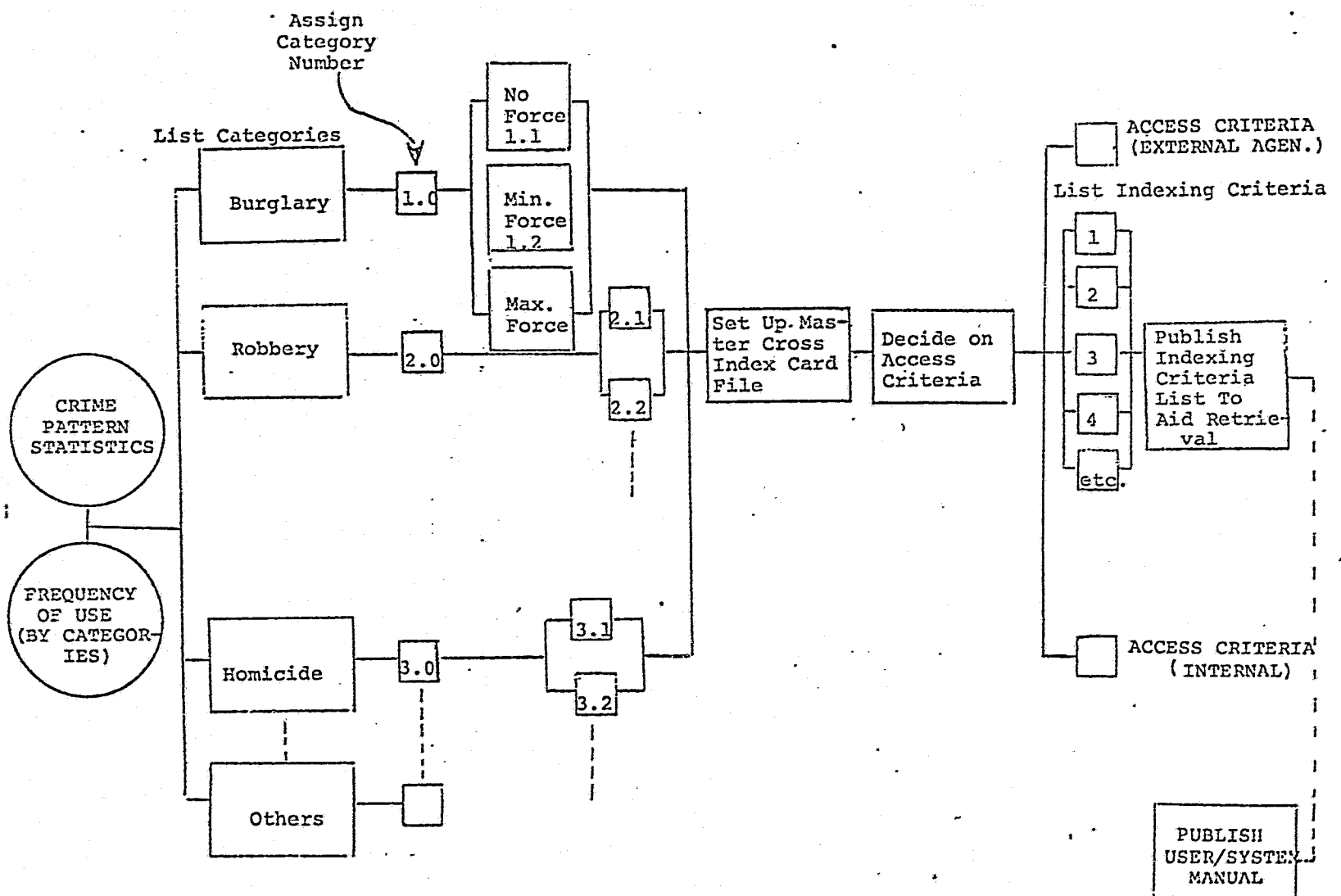
- Crime reports
- Field interviews
- Communication records
- Intelligence
- Administrative data

EXTERNAL TO THE LAW ENFORCEMENT AGENCY

- Other law enforcement agencies
- Other criminal justice agencies
- Social data
- Economic data
- Census data
- Planning data

*The student is urged to expand this list to meet his/her agency's needs

R-76-114
D-7



Flow Diagram: Developing A Crime Analysis Data Collation System

BASIC ANALYTICAL TOOLS*

- Statistical
- Probabilistic
- Logic
- Correlations
- Graphical
- Allocations
- Factor Analysis
- Extrapolations

*The analytical tools listed here are considered basic to any crime analysis unit. However, there are many more and the student is encouraged to expand this list of tools to meet his/her personal and/or agency needs.

END

7. 11. 1951